



### 6' Bollard Style Bench with Back - Surface Mount.

- Available in 6' and 8' lengths
- Overall Dimensions: 15 1/2' D x 16 5/8" H.
- 2" x 4" Wood style planks.
- 3" x 3" Square x 11 gauge pre-galvanized structural steel tubing.
- All MIG welded frame with zinc plated hardware.
- Available in surface and inground mount.
- One year warranty.
- Some assembly required.

**Item #:** US 952SM

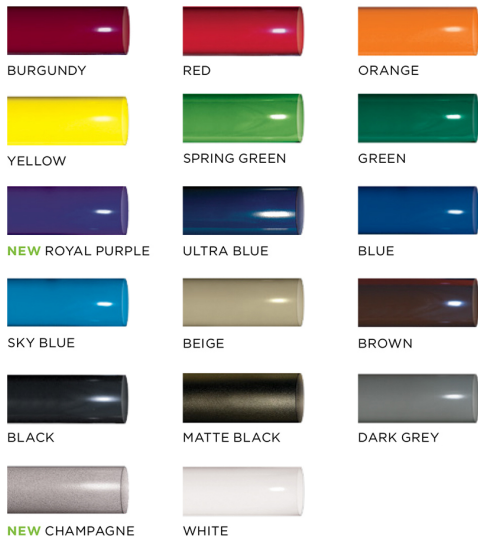


### Wood Planks

2" x 10" and 2" x 4" sizes  
Rounded Edges  
#1 Southern Yellow Pine

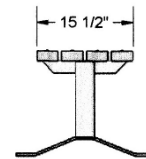
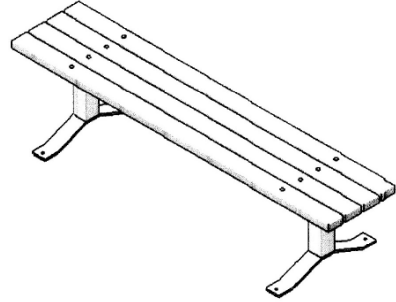
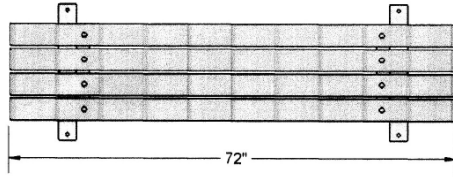
(U) Untreated  
(PT) Pressure Treated  
Environmentally Friendly ACQ  
Kiln Dried Before & After Treatment  
(T) Treated Stain  
Sealed in Redwood Stain With  
Wood Preservative

### Standard Powder Coat Colors

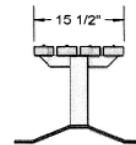
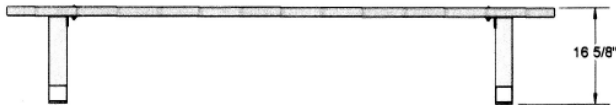
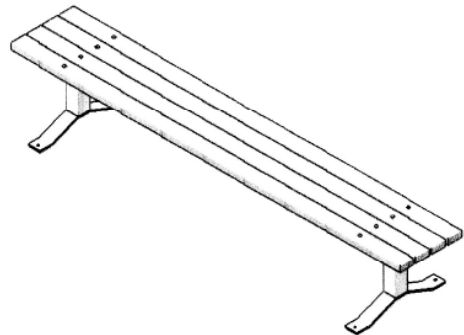
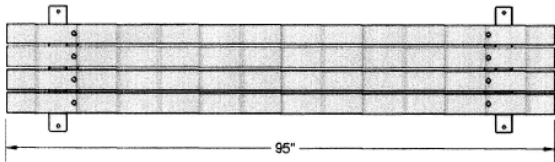


Model Number	Description
US 952SM-U6	6' Park Bench, 76 Lbs., 2" x 4" Planks, Untreated Pine.
US 952SM-PT6	6' Park Bench, 76 Lbs., 2" x 4" Planks, Treated Pine.
US 952SM-T6	6' Park Bench, 76 Lbs., 2" x 4" Planks, Redwood Stained.
US 952SM-U8	8' Park Bench, 86 Lbs., 2" x 4" Planks, Untreated Pine.
US 952SM-PT8	8' Park Bench, 86 Lbs., 2" x 4" Planks, Treated Pine. .
US 952SM-T8	8' Park Bench, 86 Lbs., 2" x 4" Planks, Redwood Stained Pine.

### 6' Bollard Style Bench, No Back



### 8' Bollard Style Bench, No Back



National Outdoor Furniture  
1210 W. Main Street #296  
Riverhead, N.Y. 11901

PHONE (888) 663-4621  
E-MAIL [nofinc1@gmail.com](mailto:nofinc1@gmail.com)  
[www.nationaloutdoorfurniture.com](http://www.nationaloutdoorfurniture.com)