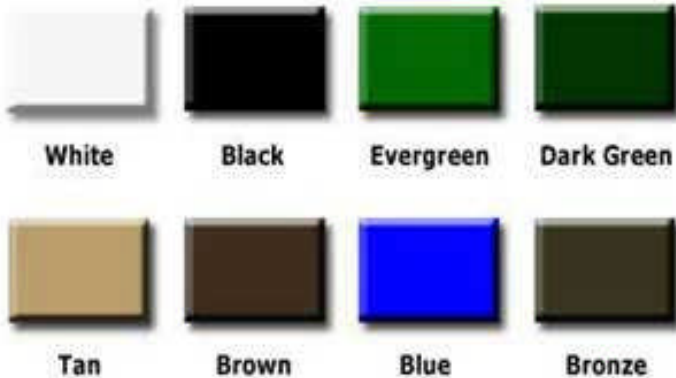




**67" Riverstone Recycled Plastic Bench -
Portable/Surface Mount.**

- 145 lbs.
 - Dim: 48"L x 28"D x 32 7/8"H.
 - Made with forty-four 2 3/8" wide x 3/4" thick recycled plastic slats.
 - 3" x 1" steel tube.
 - Stainless steel hardware.
 - Includes a UV protectant.
 - Available in cedar or redwood recycled plastic slats.
 - Portable or surface mount.
 - Some assembly required.
 - Recycled plastic made from 100% recycled material.
 - Made in the U.S.A.
- Item #:** KR RVSB-67

Powder Coated Finishes



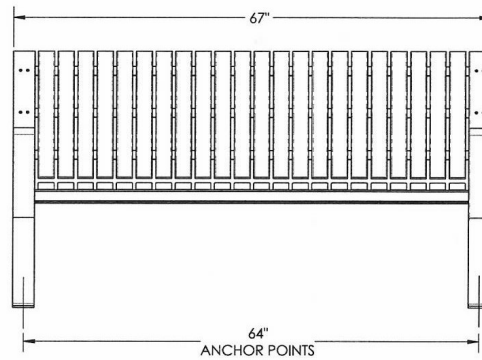
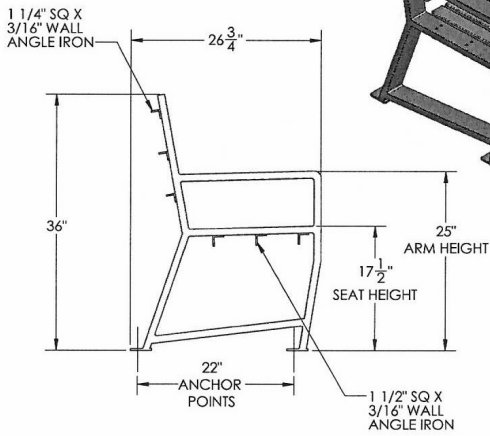
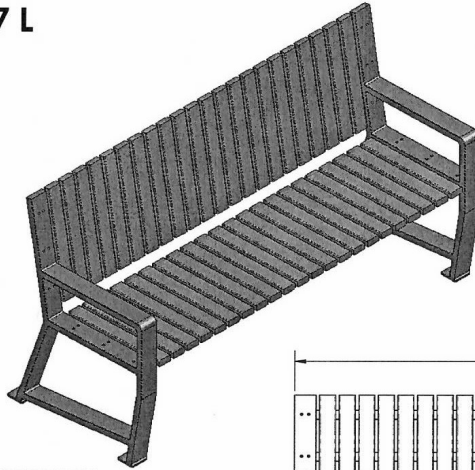
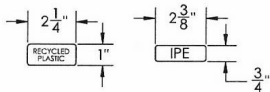
National Outdoor Furniture
1210 W. Main Street #296
Riverhead, N.Y. 11901

PHONE (888) 663-4621
E-MAIL nofinc1@gmail.com

www.nationaloutdoorfurniture.com

PRODUCT SPECIFICATIONS

RIVERSTONE BENCH - 67 L



FRAME

- **Material:** 3"x1" Steel tube
- **Finish:** Electro static powder coating
- **Color:** Black, White, Green, Tan, Dk. Brown, Dk. Green Bronze and Blue.

PLASTIC RAILS

- **Material:** Polystyrene
- **Number of Rails:** 44
- **Finish:** Cedar or Redwood

WOOD RAILS

- **Material:** IPE
- **Number of Rails:** 44
- **Finish:** Standard

HARDWARE

- **Carriage Bolts:** 5/16"x1-1/2" lg Stainless Steel (24)
- **Nuts:** 5/16" Stainless Steel (24)



National Outdoor Furniture
1210 W. Main Street #296
Riverhead, N.Y. 11901

PHONE (888) 663-4621
E-MAIL nofinc1@gmail.com

www.nationaloutdoorfurniture.com