



4', 5' and 80" Renaissance Backless Bench – Portable/Surface Mount.

- 4 Ft. Dimensions: 16 1/8" Seat Ht. x 21 7/8" Depth x 59 1/2" Length. 30 Lbs.
- Slat Options: Oak Slats, Recycled Plastic Slats, Aluminum Slats.
- Powder coated cast aluminum legs.
- 1/4"-20 steel zinc plated, yellow dipped carriage bolts and nuts.
- With or without mounting holes.
- 5' and 80" bench has three legs.
- 4' Bench with recycled plastic slats has three legs.
- Made in the USA.
- Some assembly required.

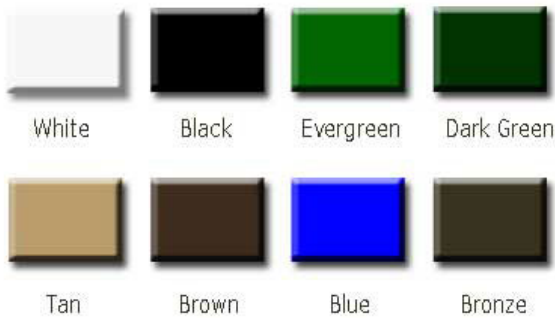
Model # Size / Slats

KR RBBS 48-O, 30 Lbs. 4 Ft.-Oak
 KR RBBS 48-A, 30 Lbs. 4 Ft.-Aluminum
 KR RBBP 60-O, 45 Lbs. 5 Ft.-Oak
 KR RBBP 60-A, 45 Lbs. 5 Ft.-Aluminum
 KR RBBP 60-F, 45 Lbs. 5 Ft.-Recycled Plastic
 KR RBBLF 80-O, 51 Lbs. 80" Ft.-Oak
 KR RBBLF 80-A, 51 Lbs. 80" Ft.-Aluminum
 KR RBBLF 80-F, 51 Lbs. 80" Ft.-Recycled

Aluminum Slat Colors: Black, White, Brown, Tan, Evergreen, Dk. Green, Bronze, Blue.

Recycled Plastic Slat Color: Cedar and Redwood.

Frame Finishes



Recycled Plastic Slats

Cedar



Redwood



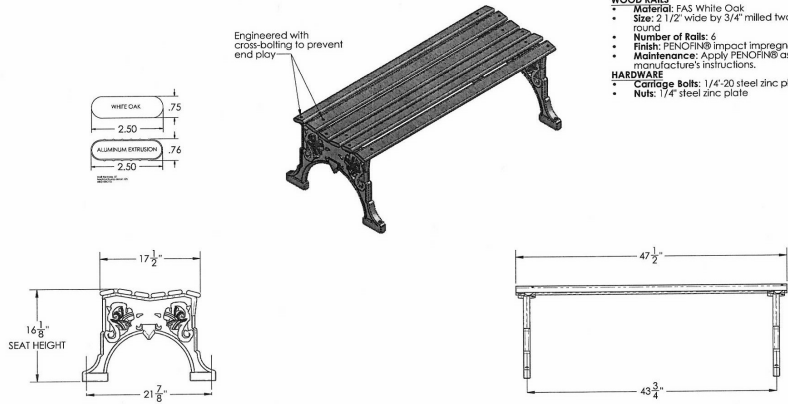
National Outdoor Furniture
 1210 W. Main Street #296
 Riverhead, N.Y. 11901

PHONE (888) 663-4621
 E-MAIL nofinc1@gmail.com

www.nationaloutdoorfurniture.com

PRODUCT SPECIFICATIONS

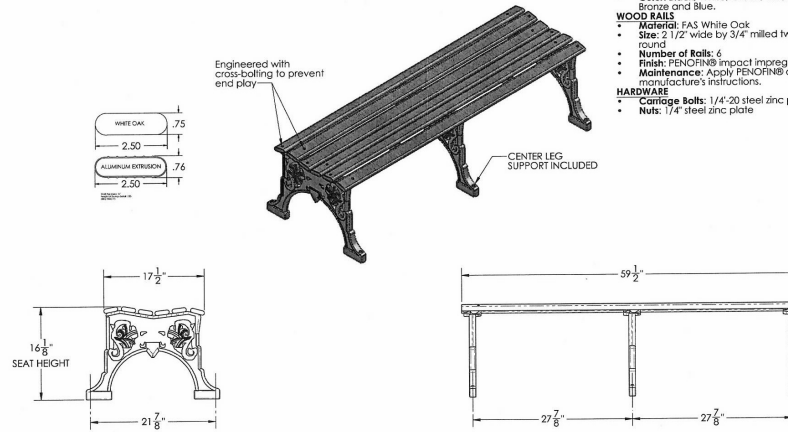
RENAISSANCE BACKLESS BENCH - 48"



- FRAME**
 - Material: Cast aluminum poured in permanent molds
 - Finish: Electro static powder coating
 - Color: Black, White, Green, Tan, Dk. Brown, Dk. Green, Bronze and Blue.
- WOOD RAILS**
 - Material: FAS White Oak
 - Size: 2 1/2" wide by 3/4" milled two edges 3/4" half round
 - Number of Rails: 6
 - Finish: PENOFIN® impact impregnated
 - Maintenance: Apply PENOFIN® as necessary. Follow manufacturer's instructions.
- HARDWARE**
 - Carriage Bolts: 1/4"-20 steel zinc plate, yellow dipped
 - Nuts: 1/4" steel zinc plate

PRODUCT SPECIFICATIONS

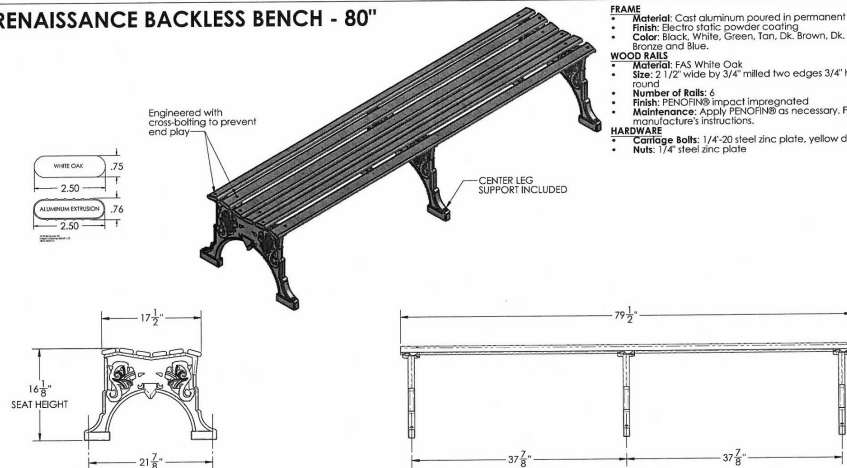
RENAISSANCE BACKLESS BENCH - 60"



- FRAME**
 - Material: Cast aluminum poured in permanent molds
 - Finish: Electro static powder coating
 - Color: Black, White, Green, Tan, Dk. Brown, Dk. Green, Bronze and Blue.
- WOOD RAILS**
 - Material: FAS White Oak
 - Size: 2 1/2" wide by 3/4" milled two edges 3/4" half round
 - Number of Rails: 6
 - Finish: PENOFIN® impact impregnated
 - Maintenance: Apply PENOFIN® as necessary. Follow manufacturer's instructions.
- HARDWARE**
 - Carriage Bolts: 1/4"-20 steel zinc plate, yellow dipped
 - Nuts: 1/4" steel zinc plate

PRODUCT SPECIFICATIONS

RENAISSANCE BACKLESS BENCH - 80"



- FRAME**
 - Material: Cast aluminum poured in permanent molds
 - Finish: Electro static powder coating
 - Color: Black, White, Green, Tan, Dk. Brown, Dk. Green, Bronze and Blue.
- WOOD RAILS**
 - Material: FAS White Oak
 - Size: 2 1/2" wide by 3/4" milled two edges 3/4" half round
 - Number of Rails: 6
 - Finish: PENOFIN® impact impregnated
 - Maintenance: Apply PENOFIN® as necessary. Follow manufacturer's instructions.
- HARDWARE**
 - Carriage Bolts: 1/4"-20 steel zinc plate, yellow dipped
 - Nuts: 1/4" steel zinc plate



National Outdoor Furniture
1210 W. Main Street #296
Riverhead, N.Y. 11901

PHONE (888) 663-4621
E-MAIL nofinc1@gmail.com

www.nationaloutdoorfurniture.com