



**4, 5' and 80" Woodland Backless Bench – Portable/Surface Mount.**

- 4" Overall Dimensions: 15" Seat Ht. x 26 1/2" Depth x 24" x 59 1/2" length. 30 Lbs.
- Slat Options: Oak Slats, Recycled Plastic Slats, Aluminum Slats.
- Powder coated cast aluminum arms.
- 1/4"-20 steel zinc plated, yellow dipped carriage bolts and nuts.
- With or without surface mounting holes.
- 5' and 80' bench sold with three legs.
- 4' Bench sold with two legs.
- 100% Recycled aluminum casting frame.
- Made in the USA.
- Some assembly required.

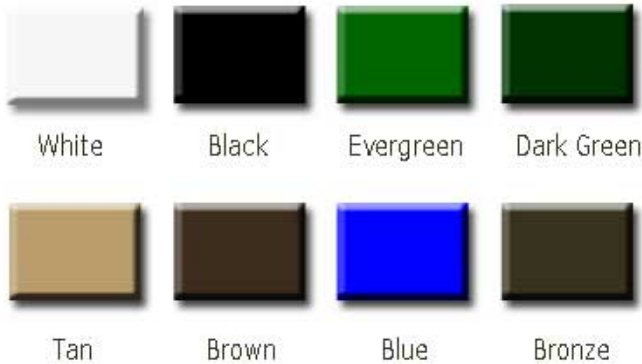
**Model #                      Size / Slats**

KR WBBS 48-O	30 Lbs. 4 Ft.-Oak
KR WBBS 48-A	30 lbs.4 Ft.-Aluminum
KR WBBS 48-F	30 lbs.4 Ft.-Recycled Plastic
KR WBBS 60-O	45 Lbs. 5 Ft.-Oak
KR WBBS 60-A	45 Lbs. 5 Ft.-Aluminum
KR WBBS 60-F	45 Lbs. 5 Ft.-Recycled Plastic
KR WBBS 80-O	51 Lbs. 80 Inch-Oak
KR WBBS 80-A	51 Lbs. 80 Inch-Aluminum
KR WBBS 80-F	51 Lbs. 80 Inch-Recycled Plastic

**Aluminum Slat Colors:** Black, White, Brown, Tan, Evergreen, Dk. Green, Bronze, Blue.

**Recycled Plastic Slat Color:** Cedar / Redwood.

**Cast Aluminum Arm Finishes**



**Recycled Plastic Slats**

Cedar



Redwood



National Outdoor Furniture  
1210 W. Main Street #296  
Riverhead, N.Y. 11901

PHONE (888) 663-4621  
E-MAIL [nofnc1@gmail.com](mailto:nofnc1@gmail.com)

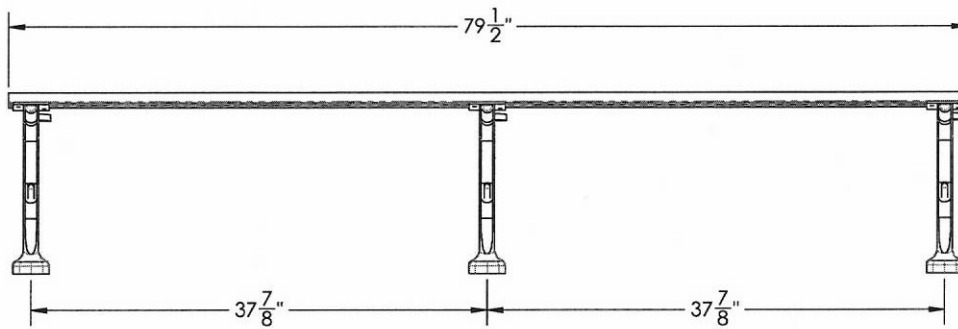
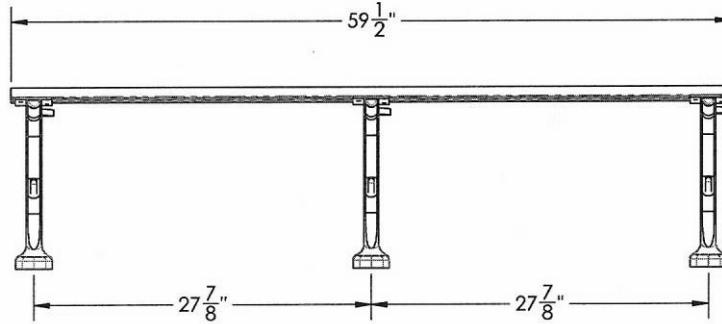
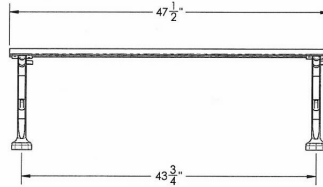
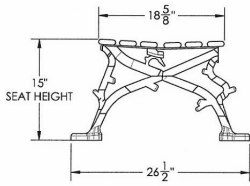
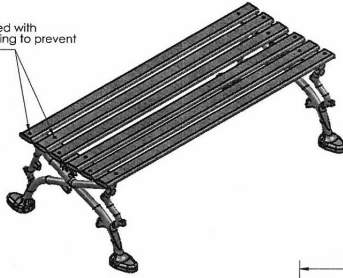
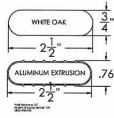
[www.nationaloutdoorfurniture.com](http://www.nationaloutdoorfurniture.com)

# PRODUCT SPECIFICATIONS

## WOODLAND BACKLESS BENCH - 48"

- FRAME**
- **Material:** Cast aluminum poured in permanent molds
  - **Finish:** Electro static powder coating
  - **Color:** Black, White, Green, Tan, Dk. Brown, Dk. Green, Bronze and Blue.
- WOOD RAILS**
- **Material:** FAS White Oak
  - **Size:** 2 1/2" wide by 3/4" milled two edges 3/4" half round
  - **Number of Rails:** 6
  - **Finish:** PENOFIN® impact impregnated
  - **Maintenance:** Apply PENOFIN® as necessary. Follow manufacturer's instructions.
- HARDWARE**
- **Carriage Bolts:** 1/4"-20 steel zinc plate, yellow dipped
  - **Nuts:** 1/4" steel zinc plate

Engineered with cross-bolting to prevent end play



National Outdoor Furniture  
1210 W. Main Street #296  
Riverhead, N.Y. 11901

PHONE (888) 663-4621  
E-MAIL [nofinc1@gmail.com](mailto:nofinc1@gmail.com)

[www.nationaloutdoorfurniture.com](http://www.nationaloutdoorfurniture.com)