



32 Gallon Township Trash Receptacle - Oak Slats.

- Oak Slats, Recycled Plastic Slats, Aluminum Slats.
- Overall dimensions without top. 26" Wide x 31" High. 90 Lbs.
- 3/8" space between slats.
- Primer powder coated with zinc rich base. 8 colors available for aluminum slats.
- 32 Gallon liner included. Funnel and dome top not included.

Item #: KR TTR

Model	Slats
KR TTRO-O	90 Lbs. Oak Slats
KR TTR-A	100 Lbs. Aluminum Slats
KR TTR-RP	100 Lbs. Recycled Plastic Slats

Trash Receptacle Finishes



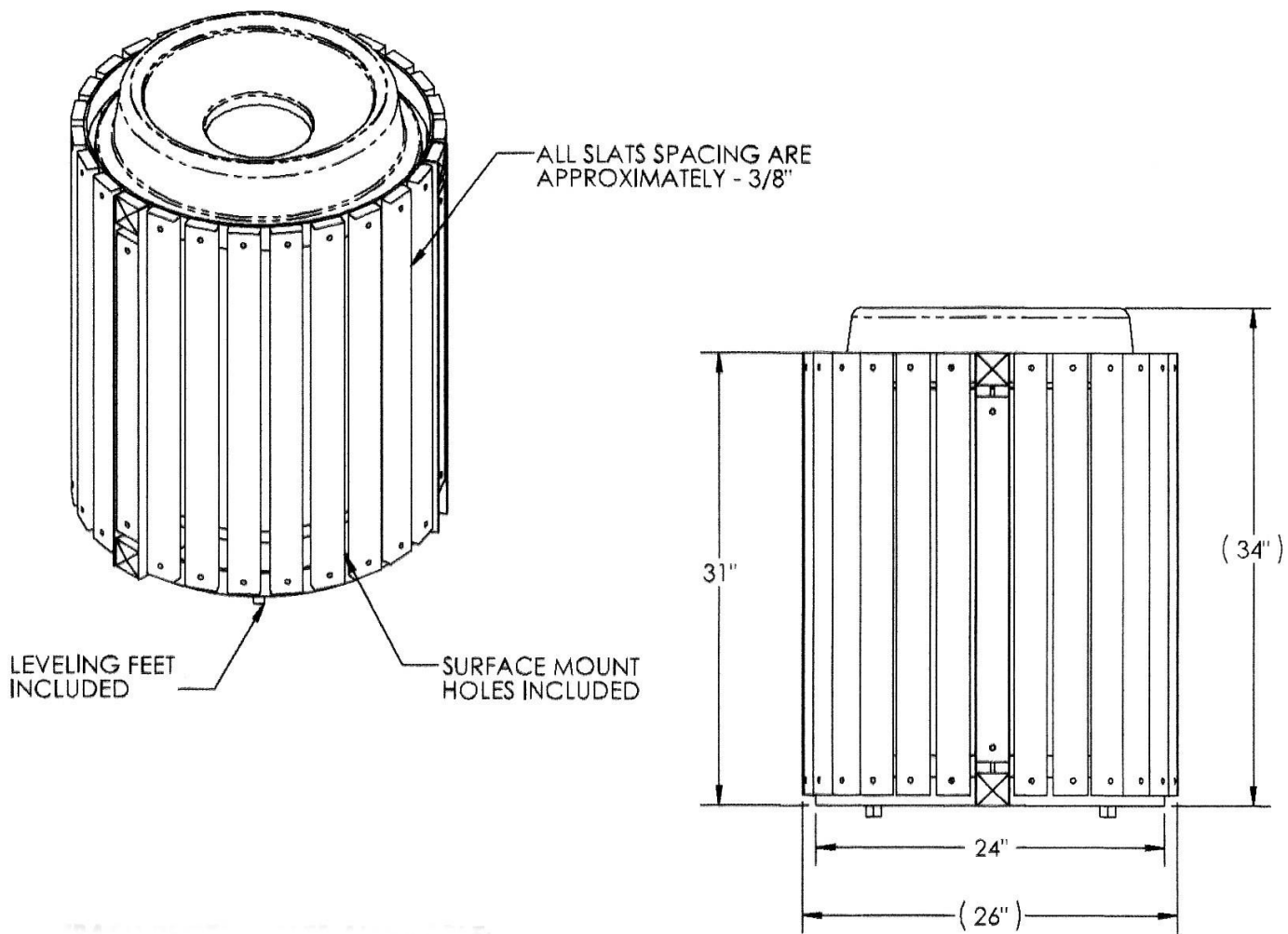
Recycled Plastic Slats

Cedar



Redwood





National Outdoor Furniture
 1210 W. Main Street #296
 Riverhead, N.Y. 11901

PHONE (888) 663-4621
 E-MAIL nofinc1@gmail.com

www.nationaloutdoorfurniture.com