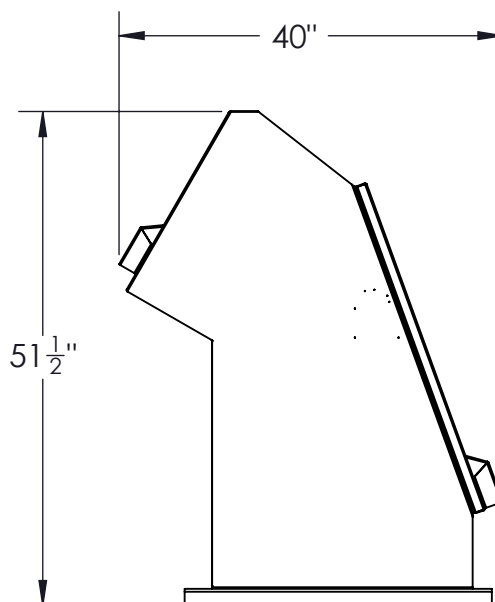
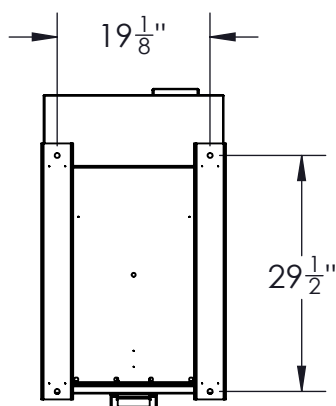
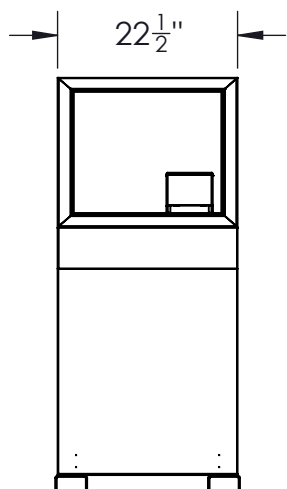


MODEL 13595-32
32 GALLON CAPACITY
ANIMAL RESISTANT TRASH/TRASH RECEPTACLE

- Uses one standard 32 gallon recycle type bag.
- ADA compliant.
- Easy access top loading chute.
- Pivoting bag racks for easy trash removal.

Mechanical specifications

- Door hinges are heavy duty stainless steel for superior corrosion resistance and longevity.
- Animal resistant internal single point self latching system on service hatch.
- Welded 14 gauge construction.
- 3/16" thick mounts with (4) holes bored to fit 1/2" bolts.
- Powder coated for superior corrosion protection.
- Available in forest green, blue, brown, and gray.



ESTIMATED WEIGHT: 190 LBS

WARNING: MUST BE PERMANENTLY MOUNTED



National Outdoor Furniture
1210 W. Main Street #296
Riverhead, N.Y. 11901

PHONE (888) 663-4621
E-MAIL nofinc1@gmail.com

www.nationaloutdoorfurniture.com