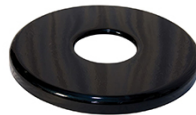
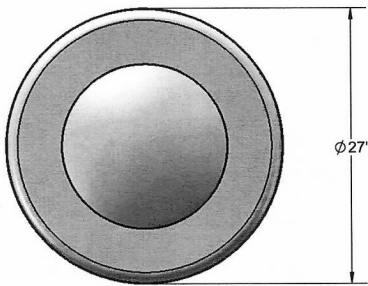




36 Gallon Richmond Recycled Trash Receptacle.

- 229 Lbs.
- Dimensions: 27" Diameter x 49 1/2" Ht.
- 32 gallon capacity.
- Rings are 3/16" x 2" flat.
- Top and bottom plate is laser cut from 1/4" steel.
- All electrically MIG welded.
- Includes a UV protectant.
- Includes 32 gallon liner and flat top lid .
- Available in gray, cedar, brown and green slats

Item #: US 60-34



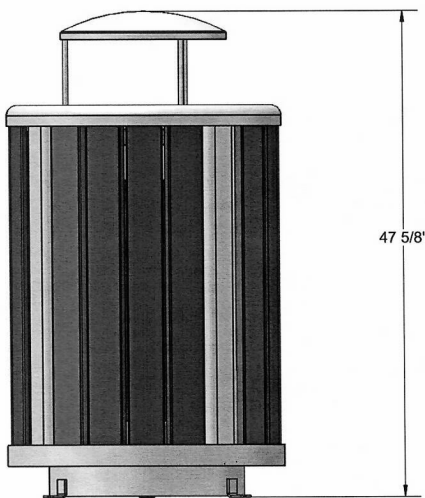
Flat Top



Ash Urn



Rain Bonnet



Recycled Planks

2" x 10", 2" x 4", 3" x 4"
and 4" x 4" Sizes

Rounded Edges

100% Recycled Plastic with Color

(GRY) Gray

(CDR) Cedar

(BRN) Brown

(GRN) Green



National Outdoor Furniture
1210 W. Main Street #296
Riverhead, N.Y. 11901

PHONE (888) 663-4621
E-MAIL nofinc1@gmail.com

www.nationaloutdoorfurniture.com