



**Recycling Center – Two and Three 32 Gallon Square Plastic Recycled Trash Recycling Containers.**

- 150 lbs.
- Containers made of 1" x 4" recycled plastic slats and rust-proof recycled plastic rings.
- 4" x 4" Post can be anchored into the ground or cut off and surface mounted. Post is clearly labeled with "recycle".
- Each container is engraved with the label of your choice: glass, cans, aluminum, plastic, bottles, paper.
- Includes a UV protectant.
- Heavy duty zinc coated hardware.
- Liners sold separately.
- Containers available in cedar, gray, brown and green with black lid.
- Available in two and three 32 gallon containers.
- Some assembly required.
- Recycled plastic made from 100% recycled material.
- Item JP PB64SREC

JP PB64SREC	Two 32 Gallon Recycled Trash
JP PB96SREC	Three 32 Gallon Recycled Trash

## Resinwood Slat Colors



Brown



Cedar



Green



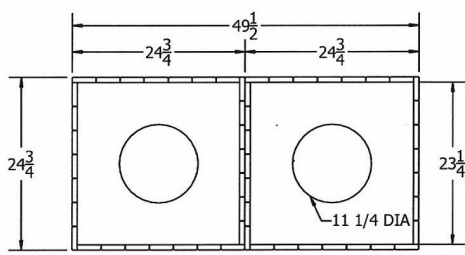
Gray



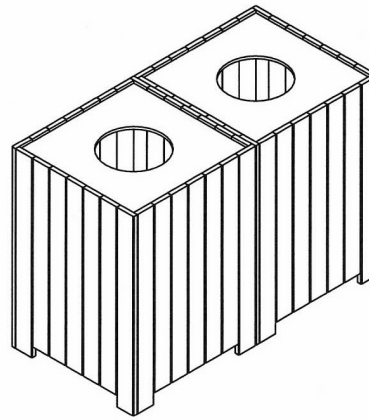
National Outdoor Furniture  
1210 W. Main Street #296  
Riverhead, N.Y. 11901

PHONE (888) 663-4621  
E-MAIL [nofinc1@gmail.com](mailto:nofinc1@gmail.com)

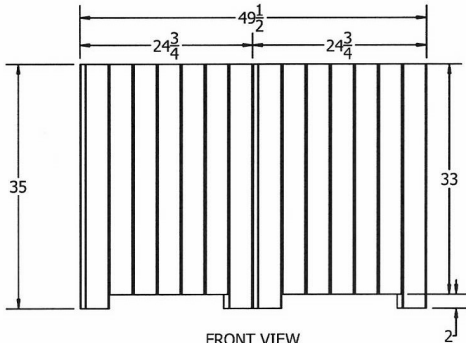
[www.nationaloutdoorfurniture.com](http://www.nationaloutdoorfurniture.com)



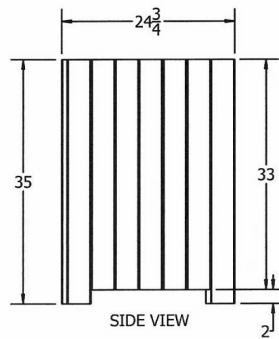
TOP VIEW



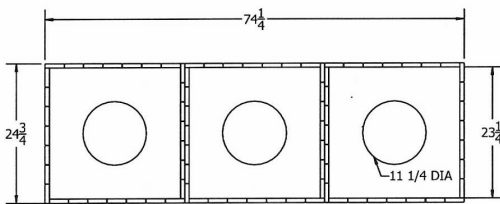
3D ISOMETRIC VIEW



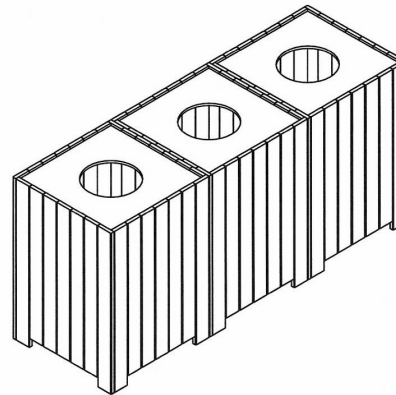
FRONT VIEW



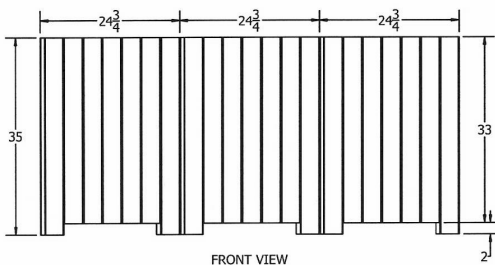
SIDE VIEW



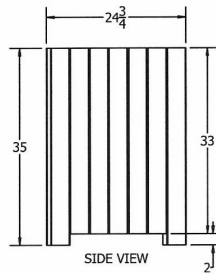
TOP VIEW



3D ISOMETRIC VIEW



FRONT VIEW



SIDE VIEW

**NATIONAL OUTDOOR FURNITURE, INC.**

1210 W. Main Street #296 Riverhead, NY 11901  
 Toll-Free Phone: 1-888-663-4621  
 Phone: 631-369-9099 Fax: 631-207-8312  
 Email: [nofinc@optonline.net](mailto:nofinc@optonline.net)  
[www.nationaloutdoorfurniture.com](http://www.nationaloutdoorfurniture.com)

**NATIONAL OUTDOOR FURNITURE, INC.**

144 Murdock Road #325 Pomfret Center, CT 06259  
 Toll-Free Phone: 1-888-516-8873  
 Phone: 1-860-974-9996 Fax: 516-706-1901  
 Email: [nofinc@earthlink.net](mailto:nofinc@earthlink.net)  
[www.nationaloutdoorfurniture.com](http://www.nationaloutdoorfurniture.com)