



Bi-Level Grill, 1008 Square Inch - Inground Mount and Surface Mount.

- 210 Lbs.
- 1008 Total square inch cooking surface.
- Firebox size: 28”L x 36”D x 10”H.
- Includes utility shelf with 4 level adjustable cooking grates.
- All MIG welded 7 gauge base plate with 10 gauge side plate.
- 4" Square post with 1/2" gussets for additional support.
- Durable rust resistant high temp black powder coated firebox.
- Surface mounted and inground mounted versions available.
- Optional hot dipped galvanized firebox.
- Some assembly required.

Item #: US 621

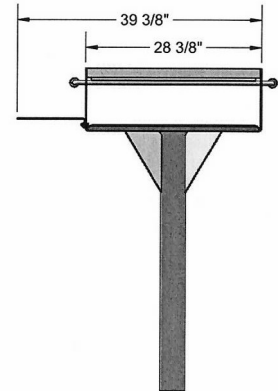
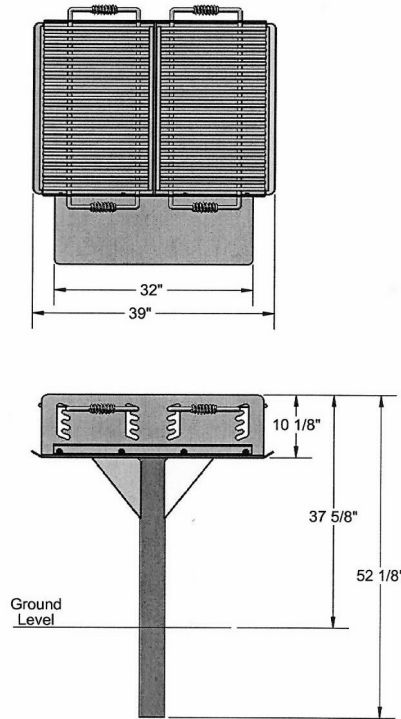
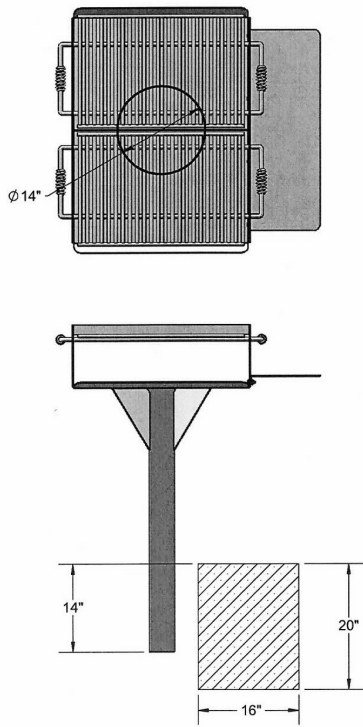
Model Number	Description
US 621	Grill with 4” Square Post, 210 Lbs., Inground Mount.
US 621SM	Grill with 4” Square Post and Utility Shelf, 210 Lbs., Surface Mount.



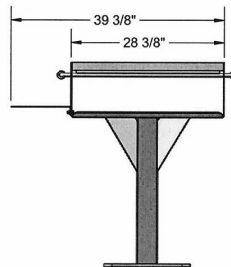
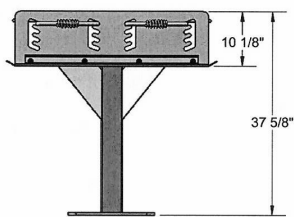
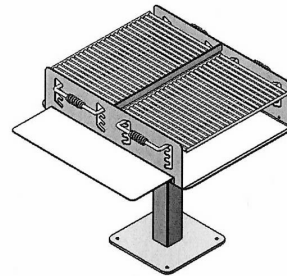
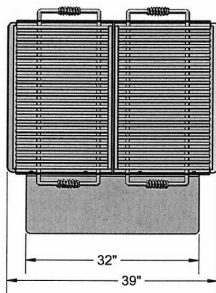
National Outdoor Furniture
1210 W. Main Street #296
Riverhead, N.Y. 11901

PHONE (888) 663-4621
E-MAIL nofinc1@gmail.com

www.nationaloutdoorfurniture.com



US 621



US 621SM



National Outdoor Furniture
1210 W. Main Street #296
Riverhead, N.Y. 11901

PHONE (888) 663-4621
E-MAIL nofinc1@gmail.com

www.nationaloutdoorfurniture.com